

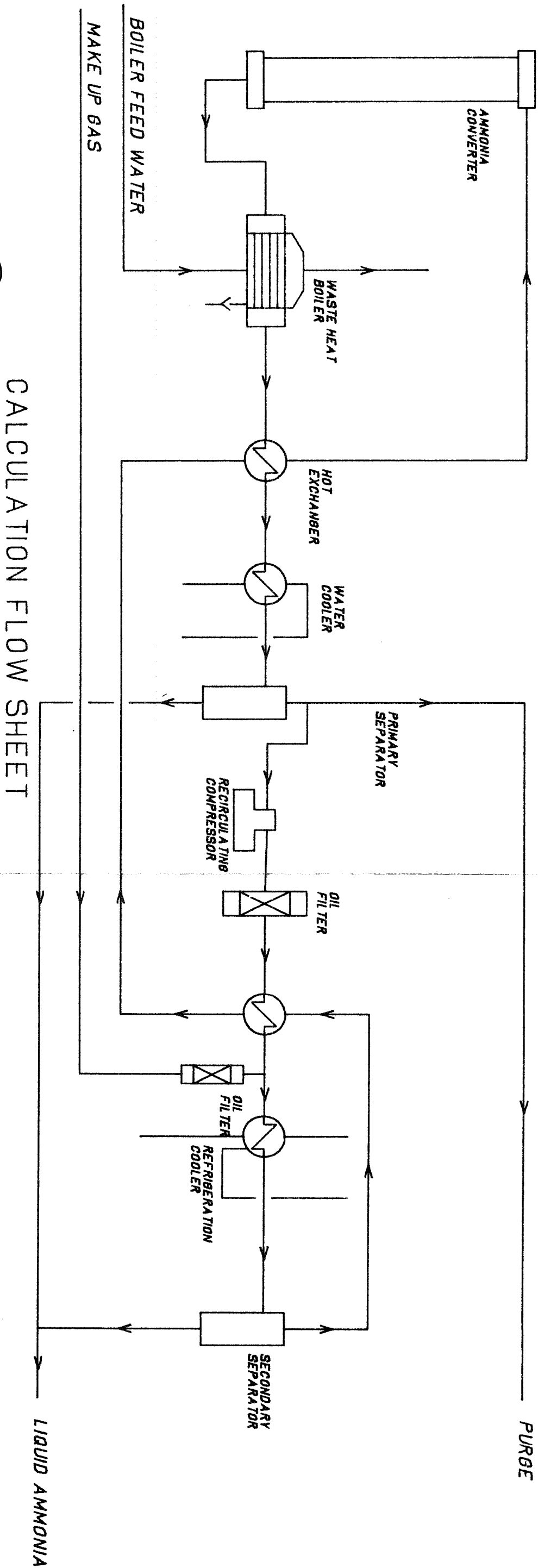
HALDOR TOPSØE

FIGUR 5

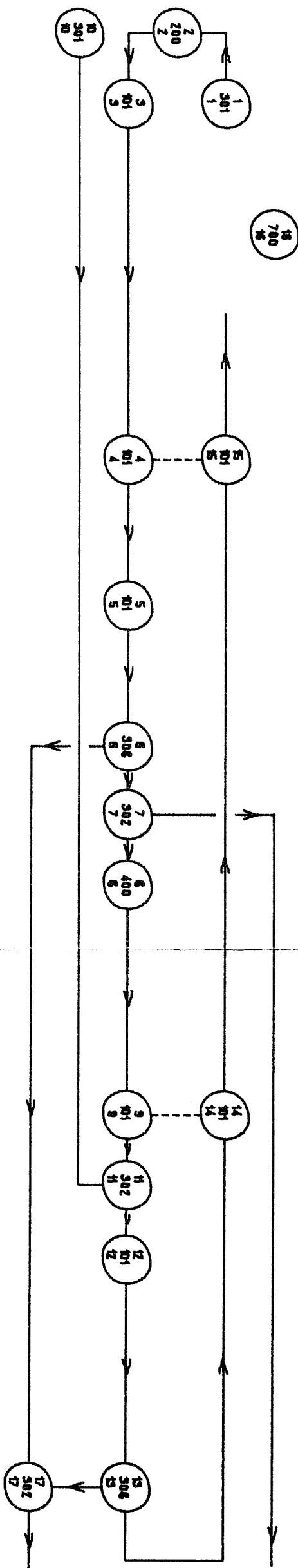
PLOTTERSMBOLER

Oala.no  
 2445  
 DR.NO.:  
 349540

# PROCESS FLOW SHEET



# CALCULATION FLOW SHEET



HALDOR TOPSØE

FIGUR 6

PROCESS AND CALCULATION FLOW SHEET

Calc.no

2446

DR.NO.:

349541