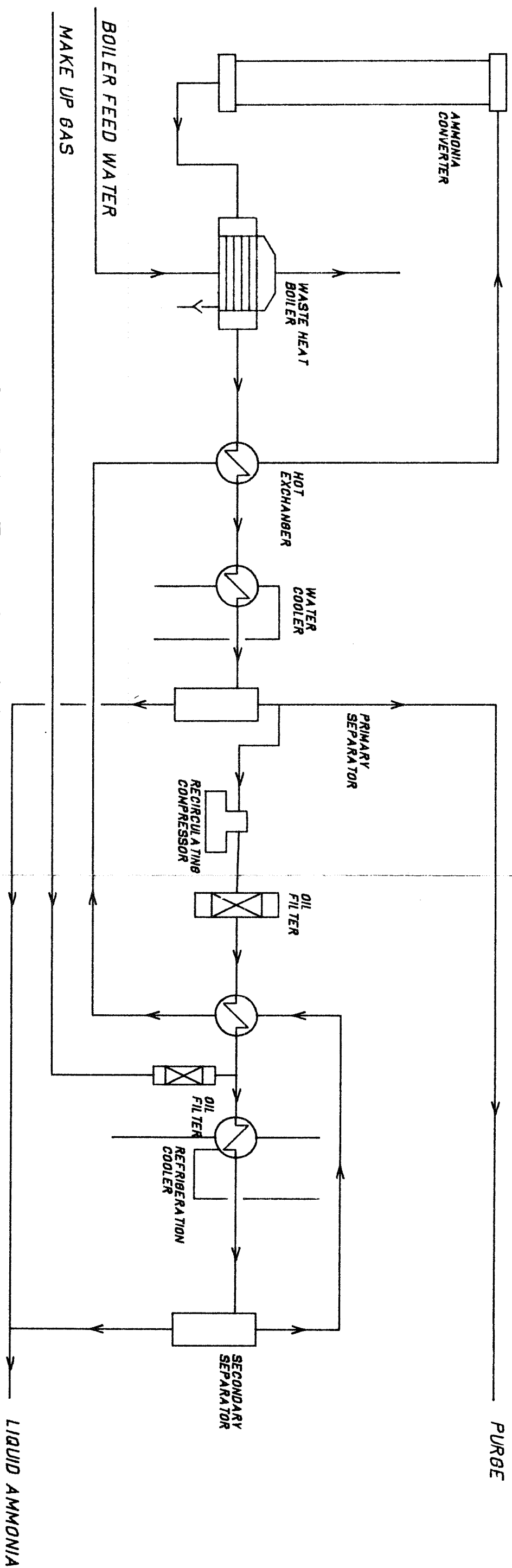
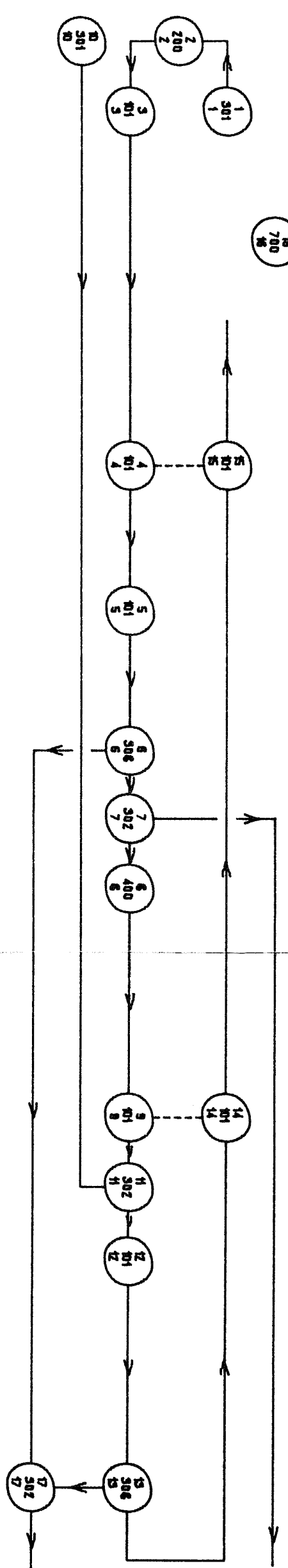


# PROCESS FLOW SHEET



# CALCULATION FLOW SHEET



HALDOR TOPSØE	
FIGUR 6	
PROCESS AND CALCULATION FLOW SHEET	Calc.no 2446 DR.NO.: 349541